



Akraino

Open Source project

Intent of this Disclosure

- Intel is open sourcing the Wind River Titanium Cloud technology, and Intel's NEV/MEC SDK and libraries as open source
- We believe it is imperative to coalesce the industry around a shared definition for Fog, IoT and Edge compute platforms.
- Intel's commitment is to upstream substantial code contributions to OpenStack, Ceph, OVS, etc. to help this project succeed.
- We want to inform you of the assets we intend to open source and invite you to collaborate with us on this future vision.

Akraino Overall Approach

Goals:

- Scalable, flexible platform suitable for CSP, Edge, IoT, and Fog use cases
- Support for VM, container, and bare metal workloads
- Product-grade code
- Zero-touch provisioning and operations

Ingredients:

- OpenStack core
- Kubernetes / Docker
- Ceph
- ONAP
- Hypervisor projects (Titanium)

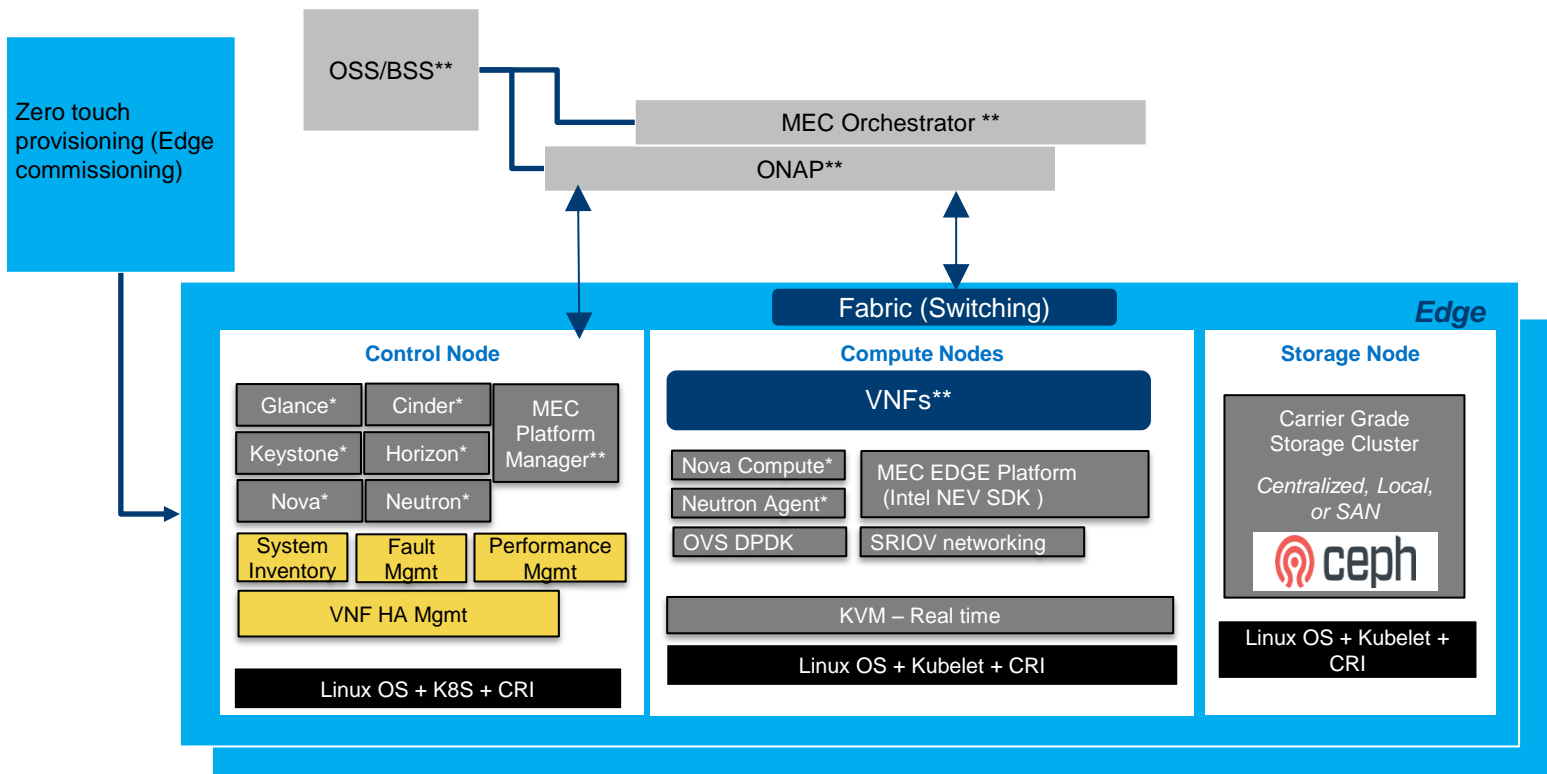
Approach:

- Contribute Wind River Titanium Cloud portfolio and Intel NEV SDK
- Collaborate with broad industry support under open governance
- Work with existing communities, upstreaming enhancements and fixes
- Drive scale and support new industries

Benefits:

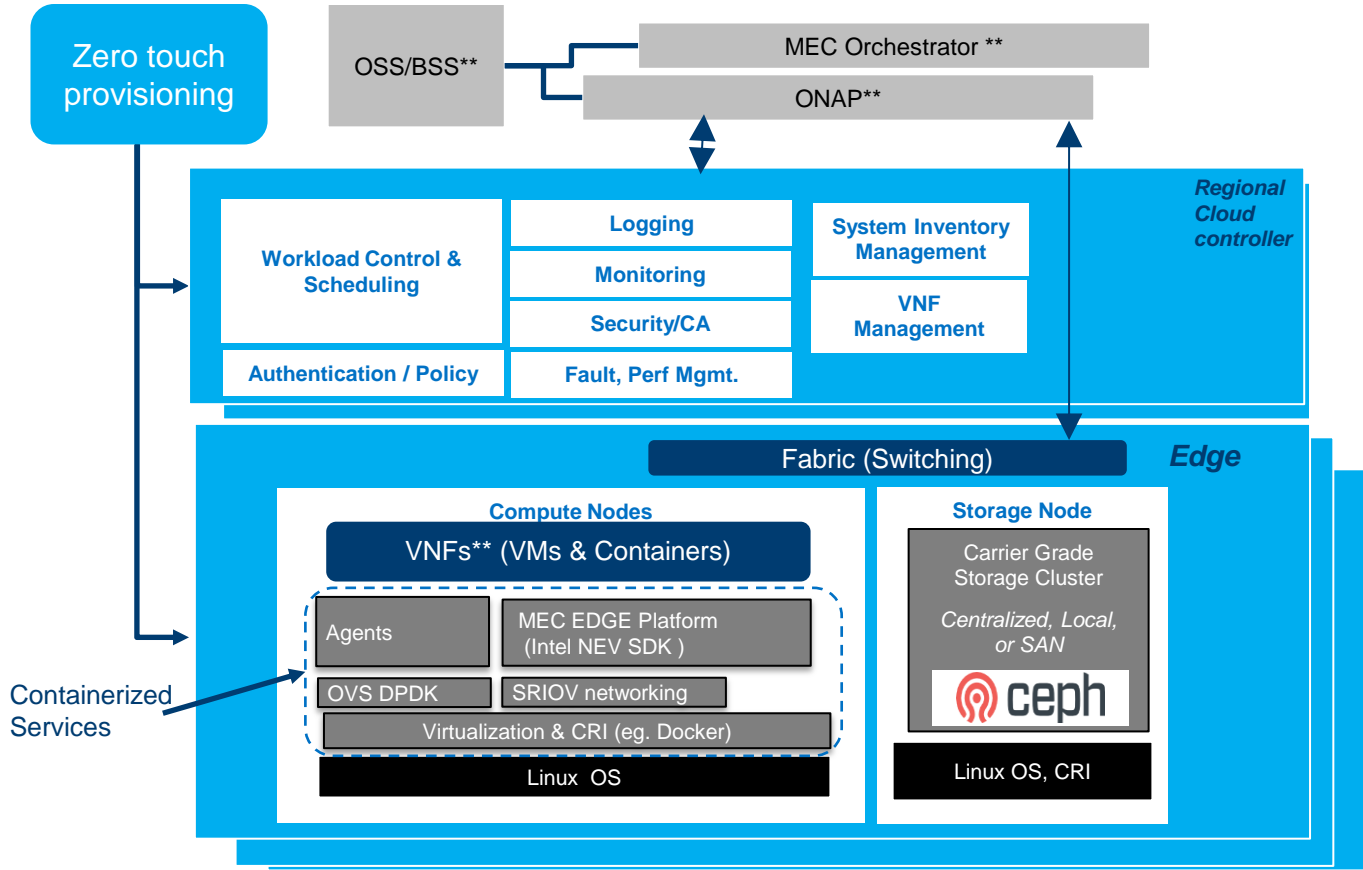
- Ease of deployment
- Ability to provision and update
- Secure
- Lower TCO

Architecture Details- In progress (INITIAL TARGET)



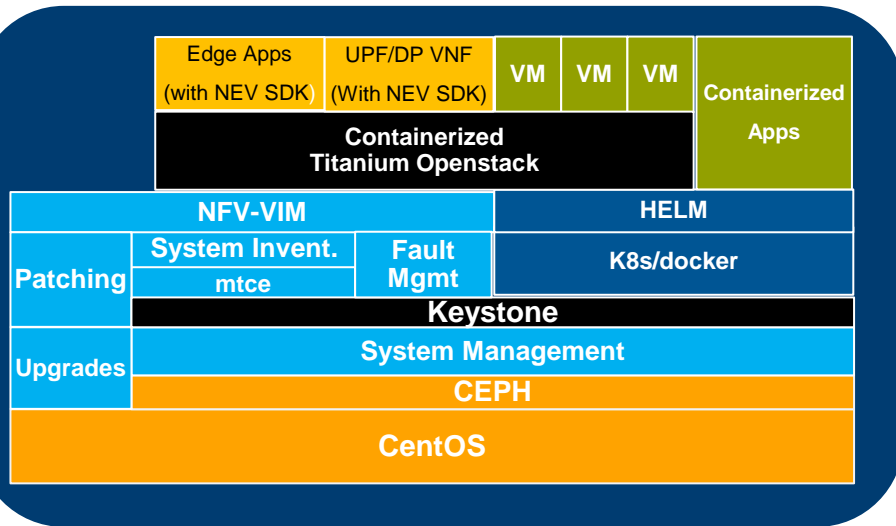
* Patched for features and performance
 ** Added for completeness - Outside of Madawaska at this time

Architecture Details- In progress (Future TARGET)



* Patched for features and bug fixes & performance
 ** Added for completeness - Outside of Madawaska at this time

Proposed Seed Architecture from Intel



- Open Source component
- Commercial Titanium component (open sourced)
- New Akraino component for seed
- OpenStack with Titanium patches
- Applications
- Network Edge Virtualization SDK

- Only seed code from Intel and Wind River
- Akraino combines OpenStack with components from Wind River Systems Titanium Cloud with new extensions to support k8s with the Docker runtime
- OpenStack Keystone runs as a shared service running on the platform with CEPH for persistent storage on all configurations as a bare metal service
- Kubernetes applications deployed by HELM
 - OpenStack is containerized
 - Calico used for container networking backend
- Retains existing Titanium installation mechanism for the bare metal node installation
- Deployment for seed will use Puppet for bare metal and HELM for OpenStack and Containerized Apps
- Lifecycle for seed will use existing Titanium services for bare metal and K8s for remaining
- Network Edge Virtualization (NEV) SDK provides a suite of reference libraries and APIs to ease edge development

