



ETSI MEC Overview

(almost) everything you want to know about ETSI MEC

12 February 2019

Presented by:

Dario Sabella (INTEL)
ETSI MEC Secretary, Lead of Industry Groups

For: *OSF Edge Computing Group*
OpenStack Foundation

Part 1

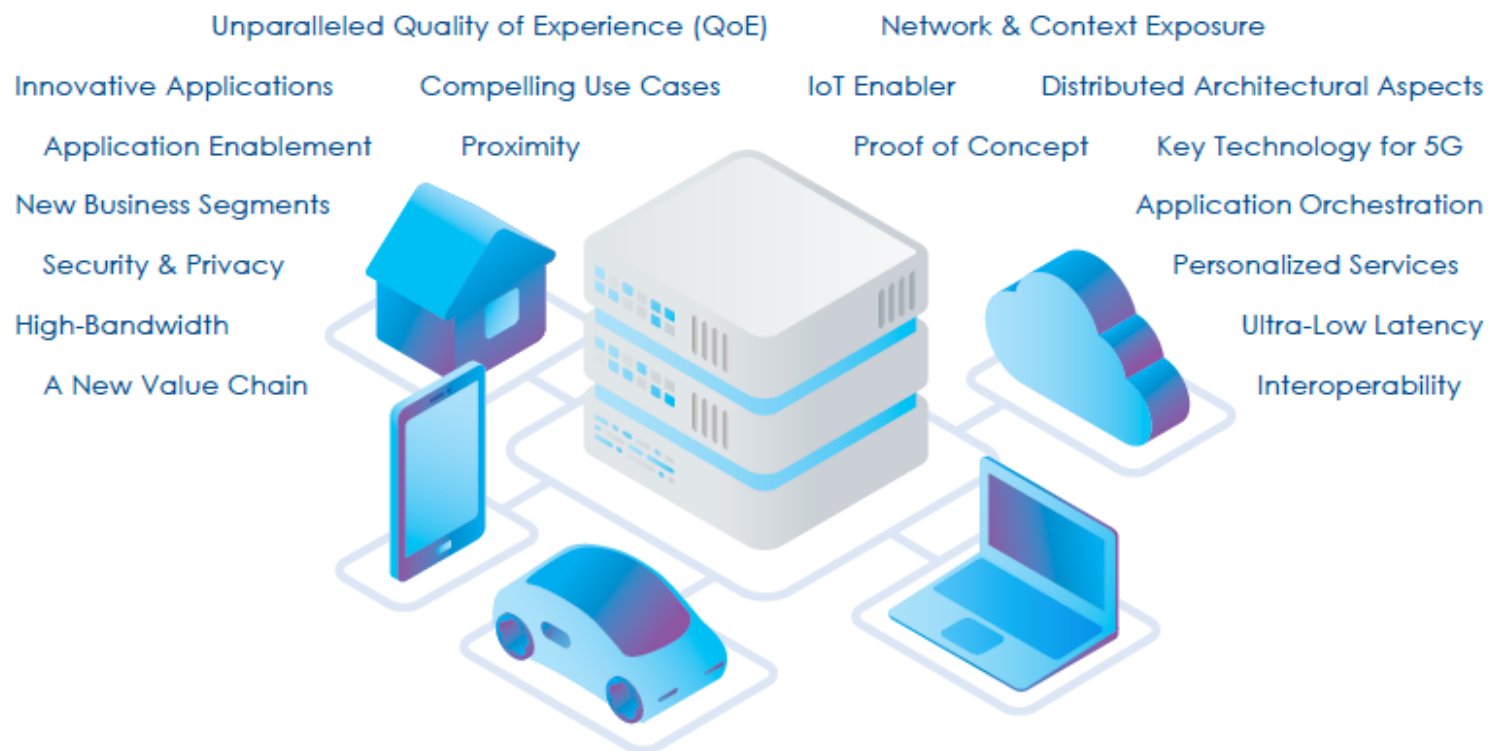
What is MEC? and ETSI MEC?

Why Edge Computing?

... as in Real Estate, it's about just 3 things:

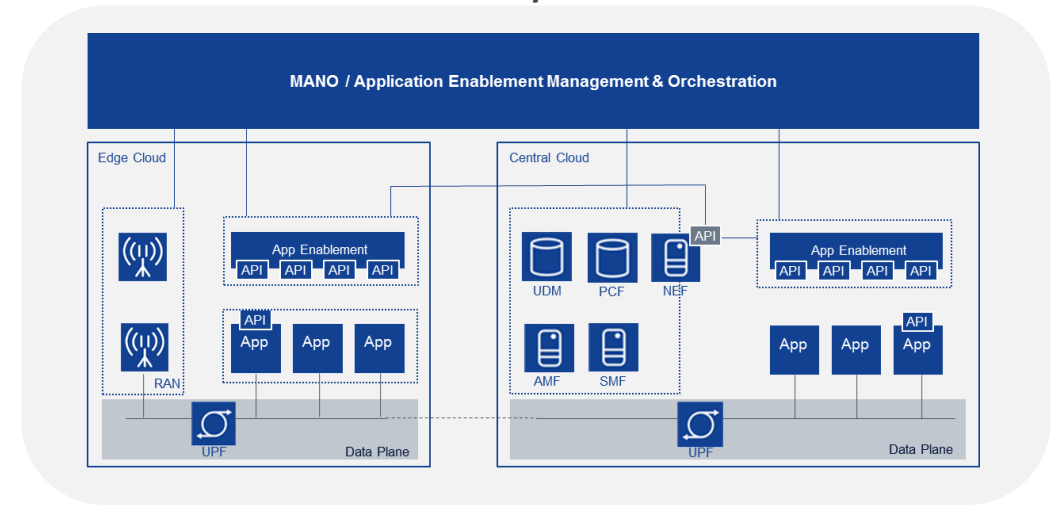
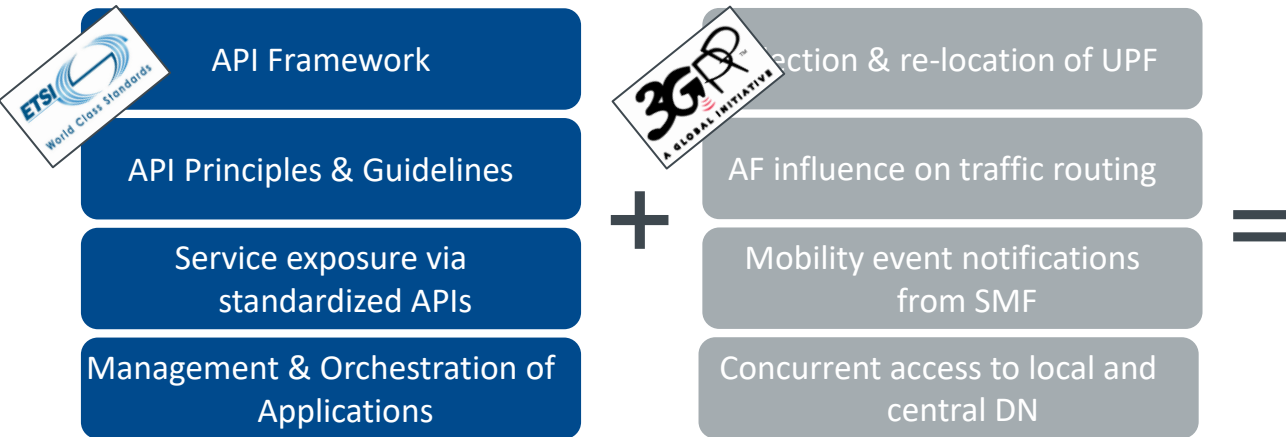
Location, Location, Location

Home of MEC



ETSI MEC – What we have achieved

Foundation for Edge Computing created – Fully standardized solution to enable applications in distributed cloud created by ETSI MEC + 3GPP



82 members - Operators – Technology Vendors – IT players – Application developers

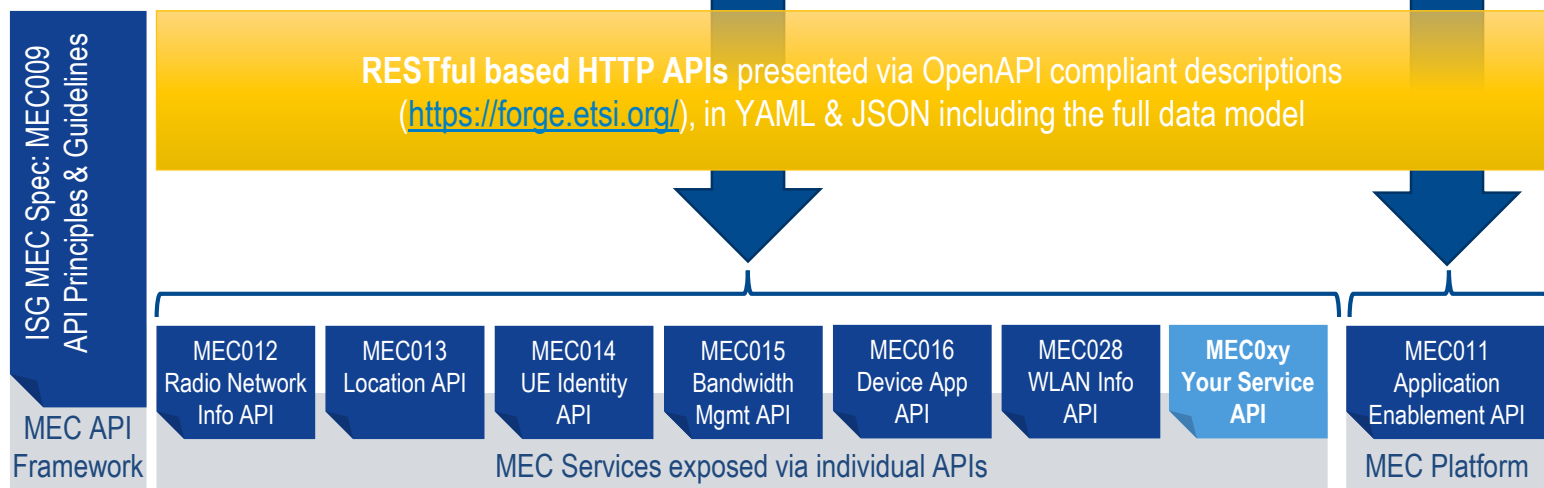


The Value of MEC



MEC Application Development Community

Interaction & Information Exposure



- ✓ Simple to use, well documented APIs, published with OpenAPI Framework
- ✓ Create innovative applications quickly and easily, reducing time-to-revenue
- ✓ New APIs (compliant with the MEC API principles) can be added
- ✓ Increase the Total Addressable Market (TAM)

ETSI MEC – Foundation for Edge Computing

Application Enablement (API Framework)	API Principles	Specific service-related APIs	Management and Orchestration related APIs
<p>A framework for delivering services which may be consumed or offered by (<i>locally hosted or remote</i>) authorized applications. It enables:</p> <ul style="list-style-type: none"> • registration, announcement, discovery and notification of services; • authentication and authorization of applications providing and consuming services; • communication support for services (query/response and notifications). 	<p>A set of API principles and guidance for developing and documenting APIs inside or outside ETSI which <i>ensures that a consistent set of APIs</i> are used by developers.</p> <p><i>The work was inspired</i> by the TMF and OMA best practices.</p> <p>The APIs are designed to be <i>application-developer friendly</i> and easy to implement so as to <i>stimulate innovation</i> and foster the development of applications.</p>	<p>Services <i>expose network and context information</i> via specific service-related APIs.</p> <p>A different set of services may be applicable at different locations</p>	<p>Facilitate the running of applications <i>at the correct location at the right time</i>, based on technical and business parameters</p>

Enables a myriad of new use cases across multiple sectors as well as innovative business opportunities

MEC PoCs: Show off YOUR cool Edge

These PoCs are currently active (first 8 are done)

ETSI MEC Proof of Concept

PoC #10

Service-Aware MEC Platform to Enable Bandwidth Management of RAN

Industry Technology Research Institute - Linker Network - FarEasTone

ETSI MEC Proof of Concept

PoC #11

Communication Traffic Management for V2x

KDDI Corporation - Saguna Networks Ltd. - Hewlett Packard Enterprise

ETSI MEC Proof of Concept

PoC #12

MEC Enabled OTT Business

China Unicom, ZTE, Intel, Tencent, Wo video, UnitedStack

ETSI MEC Proof of Concept

The next PoC

IMAGINE YOUR BEST HERE

Thought Leaders in Edge Computing



We encourage new POC submissions to ETSI MEC !

For further details, please see:
<http://mecwiki.etsi.org> or contact CTI_Support@etsi.org

MEC Deployment Trial: MEC in action in Live Networks

Next step from MEC PoC to keep engaging the ecosystem in MEC standards based deployments

- ✓ From Proof of Concept to proof of viability in a Live Network environment
- ✓ Follows the proven MEC PoC framework with a new set of acceptance criteria
 1. Trial deployed in Live Network
 2. Demonstrated to the industry, e.g. in an industry event or in ISG MEC
 3. Feedback to MEC standardization; improvement proposals, lessons learnt, next steps
- ✓ Currently the following two MDTs are active:



We encourage new MDT submissions to ETSI MEC !

For further details, please see:
<http://mecwiki.etsi.org> or contact CTI_Support@etsi.org

MEC Deployment Trial

MDT #1

CDN at the Edge

China Mobile, Nokia

MEC Deployment Trial

MDT #2

MEC in Factory Network

China Mobile, Huawei

MEC Hackathons

ETSI ISG MEC Hackathon Framework:

- **Open Call** for proposers and hosts interested in organizing a MEC Hackathon
- Submit on our Wiki page <https://mecwiki.etsi.org>

First ETSI MEC Hackathons – September 2018

- ETSI sponsored/organized Hackathon
 - Co-located with Edge Computing Congress
 - <http://www.etsi.org/news-events/events/1302-1st-etsi-mec-hackathon>
- ETSI supported hackathons:
 - Turin: www.treatabit.net/article/mec-hackathon-turin
 - Beijing: <http://www.c114.com.cn/news/126/a1065884.html> (press release in Chinese)



We encourage
new proposals for MEC
Hackathons!

For further details,
please see: <http://mecwiki.etsi.org> or
contact CTI_Support@etsi.org

MEC White Papers: A view of a whole picture

Standards are necessarily tools, not solutions

- ✔ Enable interoperability
- ✔ Support a broad range of use cases and system architecture
- ✔ Address only a specific part of the whole picture

MEC White Papers: how we help industry see the whole picture

- ✔ MEC in an Enterprise Setting
https://www.etsi.org/images/files/ETSIWhitePapers/etsi_wp30_MEC_Enterprise_FINAL.pdf
- ✔ MEC in 5G Networks:
http://www.etsi.org/images/files/ETSIWhitePapers/etsi_wp28_mec_in_5G_FINAL.pdf
- ✔ MEC deployment in 4G and towards 5G:
http://www.etsi.org/images/files/ETSIWhitePapers/etsi_wp24_MEC_deployment_in_4G_5G_FINAL.pdf
- ✔ CRAN and MEC: A Perfect Pairing:
http://www.etsi.org/images/files/ETSIWhitePapers/etsi_wp23_MEC_and_CRAN_ed1_FINAL.pdf
- ✔ Developing SW for MEC
http://www.etsi.org/images/files/ETSIWhitePapers/etsi_wp20_MEC_SoftwareDevelopment_FINAL.pdf
- ✔ and many more to come!





Part 2 ETSI MEC Phase 2 work

MEC Phase 2

<p>MEC-021 Application Mobility</p> <p>Service&Session Cont. Application Relocation</p>	<p>MEC-0023 OpenAPI</p> <p>OpenAPIFramework ETSI Forge</p>	<p>MEC-0024 NW Slicing (study)</p> <p>Slicing in Federated Cloud Multi-Domain</p>	<p>MEC-0025 Testing Framework</p> <p>Compliance Test Cases</p>	<p>MEC-0027 Support for Containers (study)</p> <p>Containers</p>
<p>MEC-0028 WLAN API</p> <p>WLAN Access Information exposure</p>	<p>MEC-0029 Fixed API</p> <p>Fixed Access Information exposure</p>	<p>MEC-0030 V2X API</p> <p>V2X service in Multi- operator, -network,-vendor domain</p>	<p>MEC-0031 MEC in 5G (study)</p> <p>3GPP 5G MEC integration</p>	<p>MEC-0032 MEC API Conformance Test Specifications</p> <p>Multipart spec ICS, TP, ATS</p>

From
Mobile Edge Computing
 (Cellular)



To
Multi-access Edge Computing
 (Cellular, WLAN, Fixed, etc.)

<p>MEC-0022 V2X Support (study)</p> <p>Multi-operator Multi-Domain</p>	<p>MEC-0026 Support for regulatory requirements (study)</p> <p>LI & RD for MEC</p>
--	--

Ready

Ready

OpenAPI description files

OpenAPI Specification (aka Swagger Specification)

- ✔ Open source framework for defining & creating RESTful APIs
- ✔ OpenAPI Specification compliant API description file
 - ✔ Inherently includes MEC data structure definitions
 - ✔ Machine readable facilitating content validation
 - ✔ Allows auto-creation of stubs for both service client & server

Motivation with ISG

- ✔ Validation → Integrity and completeness of the Specifications
- ✔ Accessibility & Adoption → Outside of the ISG, i.e. 3rd party developers
- ✔ Feedback → External critical review & feedback

Where we are now

- ✔ ETSI Repository: <https://forge.etsi.org>. GitHub mirror: <https://github.com/etsi-forge>
 - ✔ MEC 11, 12, 13, 14, 15 & 16 already available
- ✔ Tiger Team: timely updates & resolution of bugs, queries, etc.



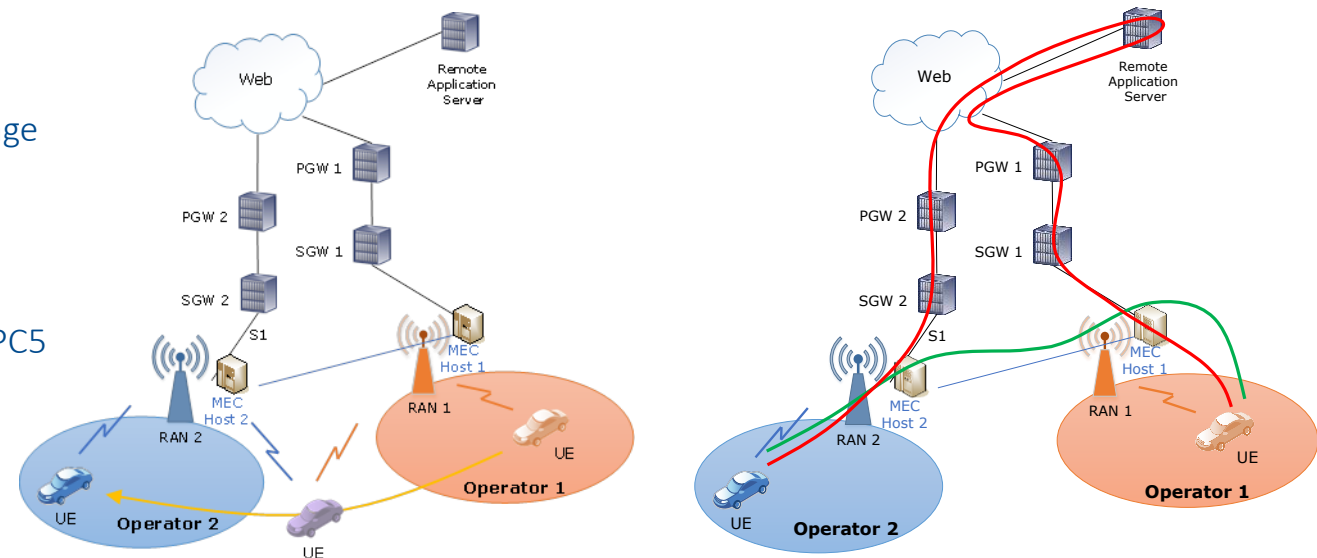
<https://www.openapis.org>

Future Plans

- ✔ Release of new API descriptions as corresponding specifications published
- ✔ Upgrade to OpenAPI 3.0 (from current 2.0) once associated 3rd party tooling matures
- ✔ Currently exploring other approaches towards a more extensive engagement with the developer community

MEC Phase 2 – V2X Service API (MEC 030)

- ✔ MEC is a standardised solution for C-V2X edge cloud deployments (5GAA White Paper Dec.2017: Toward fully connected vehicles: Edge computing for advanced automotive communications)
- ✔ Work Item MEC 030 introduces new MEC Service, V2X Information Service (VIS) based on the study report conclusions in MEC GR 022
- ✔ Automotive use cases involve multiple stakeholders: different car makers, OEM suppliers, network infrastructure vendors, MEC vendors, application/content providers and other stakeholders.
- ✔ Key requirement for V2X Information Service is the support for service exposure and communication ability across participating V2X applications in different MEC systems
- ✔ V2X service continuity is essential across all territory including transition from one operator's area to another and out of coverage areas
- ✔ Low latency is essential in C-V2X edge cloud deployments
- ✔ V2X Service API is to expose V2X configuration parameters, e.g. PC5 interface configuration of one system to another system
- ✔ Figures illustrate the multi-operator scenario and the optimised path for information exchange and communication

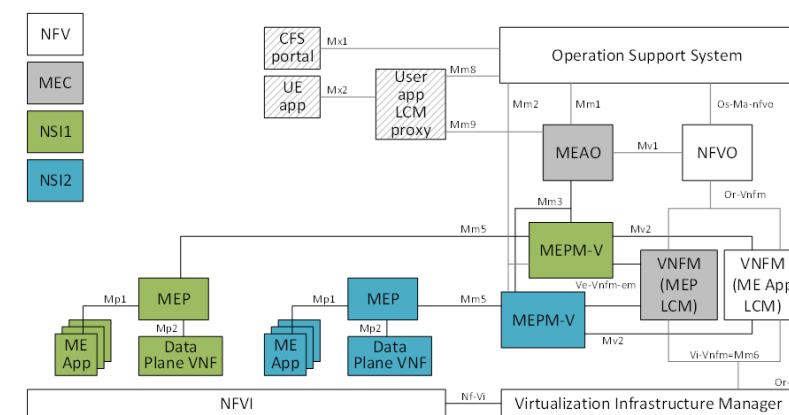


MEC Phase 2 – API Conformance Testing (MEC 025, MEC032)

- ✔ Study item MEC 025 MEC Testing Framework defines a methodology for development of interoperability and conformance test strategies, test systems and the resulting test specifications for MEC standards.
 - ✔ MEC 025 is associated with a Specialist Task Force STF#551
 - ✔ The MEC Testing Framework will be soon be proposed as stable draft (GR MEC 025)
- ✔ The multi-part work item MEC 032-1, -2, -3 on API Conformance Testing develops the following test specifications:
 1. GS MEC 032-1: Test requirements and Implementation Conformance Statement (ICS) document
 2. GS MEC 032-2: Test Suite Structure (TSS) and Test Purposes (TPs) using the standardized notation TDL_TO
 3. GS MEC 032-3: Abstract Test Suite (ATS) written in a machine-readable specification language
- ✔ The development of standardized conformance test specifications is a validation activity and an integral part of the ETSI strategy for ensuring interoperability.
- ✔ The plan is to request an STF for the work item MEC 032

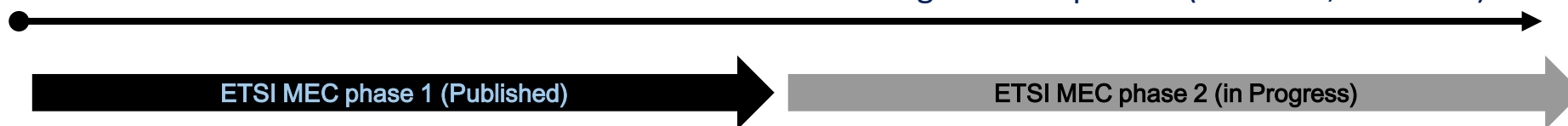
MEC Phase 2 – Study Items MEC 024, 026, 027

- ✔ **GR MEC 024 – MEC Support for Network Slicing:** identifies requirements to MEC from network slicing primarily following 3GPP approach to network slicing.
- ✔ The practical question in the study is the slice boundary, what is in and what is out, and what is the resulting impact on MEC management plane
- ✔ Figure shows an **example** of network slicing with MEC as the edge computing deployment
- ✔ This study item is work in progress, scheduled to be complete early 2019
- ✔ **GR MEC 026 – Support for Regulatory Requirements:** identifies requirements to MEC from regulatory requirements for Lawful Interception (LI) and Retained Data (RD)
- ✔ Study item is complete with the following conclusion: Except for the deployment scenario over S1 *without* CUPS feature supported, all MEC deployment scenarios considered in the study support LI as part of the 3GPP standards.
- ✔ ETSI White Paper MEC in 5G Networks (ETSI WP#28) describes how the 5G integrated deployment of MEC supports the LI&RD through UPF
- ✔ **GR MEC 027 – MEC support for containers:** identifies additional support that needs to be provided by MEC when MEC applications run as containers, with the objective of re-using the findings of ETSI ISG NFV on the application of Different Virtualisation Technologies in the NFV Framework
- ✔ So far the MEC onboarding, application description and application Life Cycle Management are based on the assumption that the MEC app runs in a Virtual Machine.
- ✔ This study item is work in progress, scheduled to be complete early 2019



Let's reflect on the work status...

- Key overall specification
 - Technical Requirements (MEC 002)
 - Framework and Reference Architecture (MEC 003)
 - MEC Proof of Concept (PoC) Process (MEC-IEG 005)
 - API Framework (MEC 009)
- IaaS Management APIs (MEC 010-1 and 010-2)
- PaaS Service Exposure
 - Required Platform Svcs / App. Enablement (MEC 011)
 - Service APIs (MEC 012, 013, 014, 015)
 - UE Application Interface (MEC 016)
- Key Studies for Future Work
 - Study on MEC in NFV (MEC 017)
 - Study on Mobility Support (MEC 018)
- Evolution of Phase 1 and closing open items
 - Application Mobility (MEC 021)
 - Lawful Intercept (MEC 026)
- Addressing key Industry Segments
 - V2X (MEC 022, MEC 030)
 - Industrial Automation, VR/AR
- Key use-cases and new requirement
 - Network Slicing (MEC 024)
 - Container Support (MEC 027)
- Normative work for integration with NFV
 - Incorporate in v2 of existing specs as needed
- From “Mobile” to “Multi-Access”
 - Wi-Fi (MEC 028)
 - Fixed Access (MEC 029)
- Developer community engagement
 - Open SW engagement (MEC 023)
 - API publication through ETSI Forge (more overleaf)
 - Hackathons
- Testing and Compliance (MEC 025, MEC 032)



Thanks!

dario.sabella@intel.com

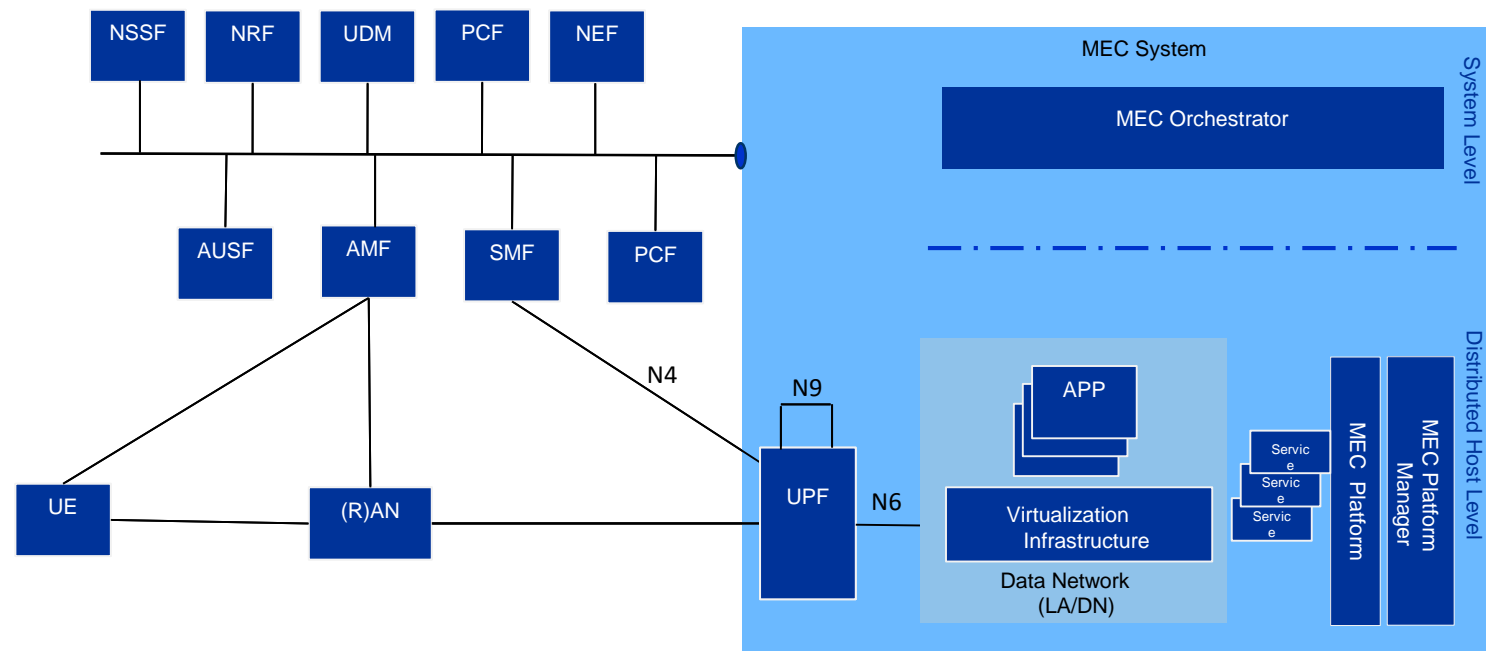
ETSI ISG MEC is the leading voice in standardization and industry alignment around MEC

- Key building block in the evolution of mobile-broadband networks, complementing NFV and SDN.
- Key enabler for IoT and mission-critical, vertical solutions.
- Widely recognized as one of the key architectural concepts and technologies for 5G.
 - Can be used to enable many 5G use cases without a full 5G roll-out (i.e. with 4G networks)
 - Enable a myriad of new use cases across multiple sectors as well as innovative business opportunities.
- The work on Phase 2 is extending the applicability of the MEC technology and rendering MEC even more attractive to operators, vendors and application developers.

BACKUP SLIDES

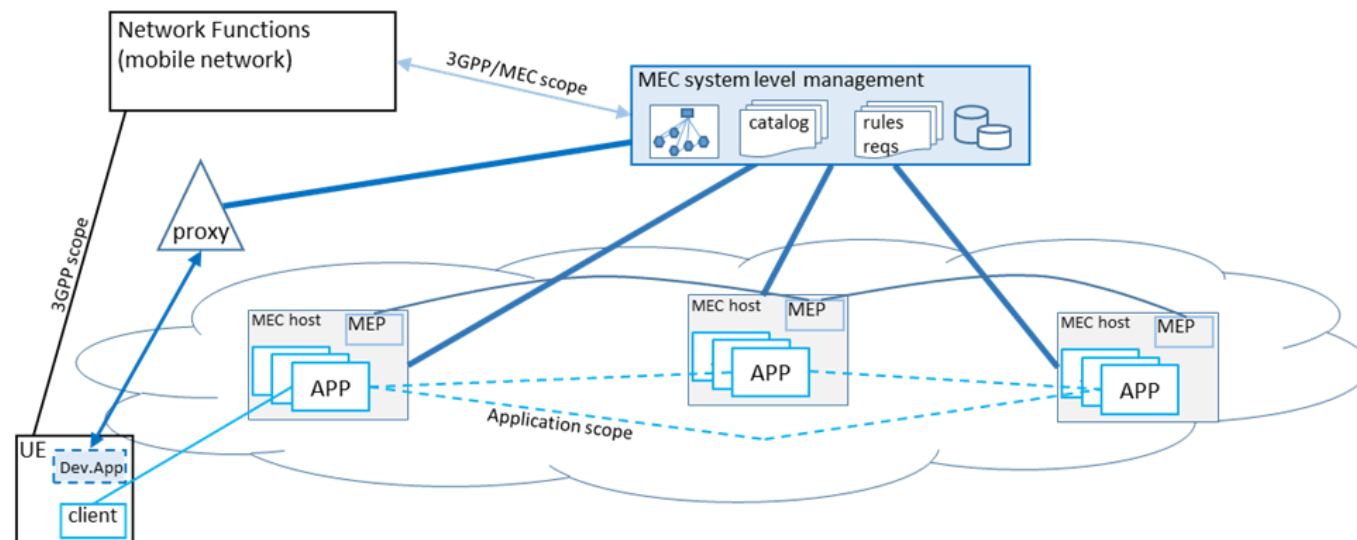
MEC Phase 2 – Study Item MEC in 5G (MEC 031)

- ✓ The ETSI white paper MEC in 5G networks sets the scene for this study item
- ✓ ISG MEC investigates the opportunities offered to MEC by the 5G system and its edge computing enablers
- ✓ The scope includes the following
 1. C-plane interactions with 5GC,
 2. functional split between MEC and 5GC wrt. API framework,
 3. organization of MEC as an AF,
 4. pertinent interactions of MEC with (R)AN



MEC Phase 2 – Application Mobility (MEC 021)

- ✔ Introduces normative changes for MEC to support mobility of the application/context
 - ✔ Applies to stateful applications only
 - ✔ Requires application support
- ✔ Study item report GR MEC 018 (finalised 2017) includes key issues, conclusions, recommendations
- ✔ When the location of the application instance is changed, the context needs to be relocated for seamless service continuity
- ✔ Three high level options introduced for the context transfer:
 1. Application self-controlled
 2. Device application assisted
 3. MEC system assisted
- ✔ MEC deployment in 5G system can take benefit from 5G edge computing enablers
 - ✔ AF influence on traffic routing, UPF re/selection, early/late notifications
 - ✔ The user context transfer remains in the scope of MEC



MEC Phase 2 – WLAN&Fixed Access Service APIs (MEC 28 & 29)

- ✔ MEC as Multi-access Edge Computing supports not only Radio Access (cellular) Information Service but also WLAN and Fixed Access information Services
- ✔ WLAN Information Service (WLAN IS) provides WLAN information to service consumers, and is discoverable for the authorized MEC applications via the Application Enablement API on the Mp1 reference point
 - ✔ We will “deep dive” into this API
- ✔ Fixed Access Information Service (FAIS) provides fixed access information to service consumers, and is discoverable for the authorized MEC applications via the Application Enablement API on the Mp1 reference point
 - ✔ FAIS API supports both queries and subscriptions/notifications
 - ✔ The FAI service may be used by the MEC applications and the MEC platform to optimize the existing services and to provide new type of services that are based on up to date information from the fixed access
 - ✔ Available information includes (Note: work in progress)
 - ✔ Available fixed access types in the area
 - ✔ Subscriber line status information
 - ✔ Device status information